

# CEMB

GARAGE EQUIPMENT

## HI-TECH RECEPTION LANE

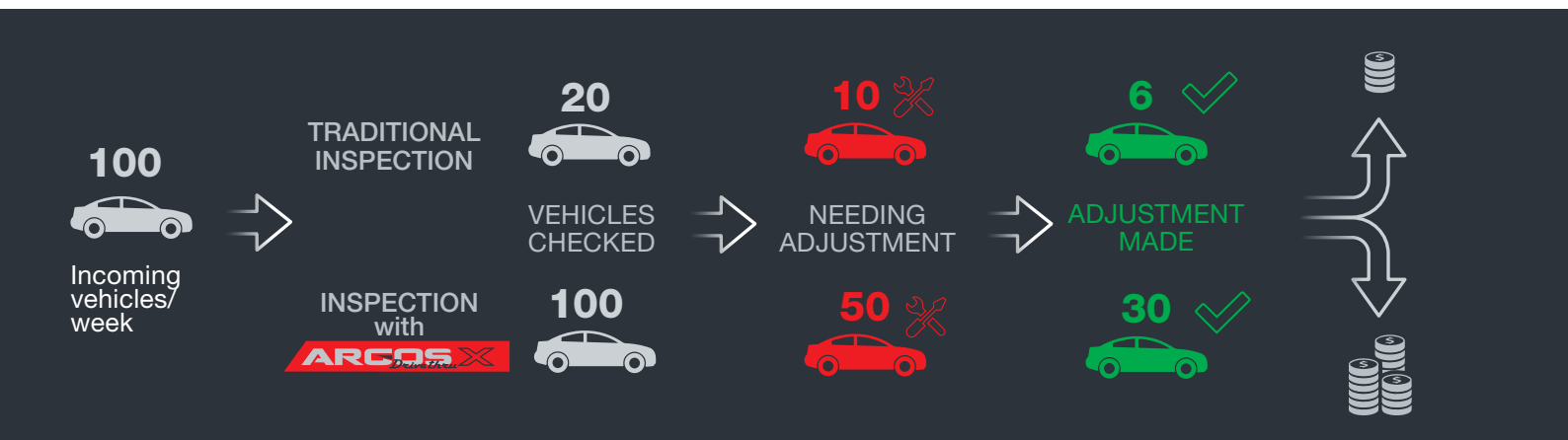




# FULL ALIGNMENT CHECK

- Place **ARGOSX Drivethru** in the reception lane of your shop; it fits into any working environment
- **Check all incoming vehicles in seconds** and identify those that show anomalies and need adjustments
- **Offer a free, fast and professional service:** your customers' satisfaction will be guaranteed
- **Win the trust of your customers with clear** and immediately understandable diagnostic **reports**
- **Save time** thanks to fully automated procedures

**ARGOSX Drivethru**: TURN EVERY INCOMING VEHICLE INTO A PROFIT OPPORTUNITY!





## IN SECONDS

- **Autonomous control** of the alignment, **WITHOUT OPERATOR**, by following simple steps shown on the screen
- **Non-contact measurement**: no more clamps, targets or sensors for effective time savings and no risk of damaging the rims
- **Diagnosis of vehicle anomalies** and indication of possible related symptoms (fuel consumption, tyre wear, driving and steering anomalies)
- **Automatic selection of vehicle specifications** via license plate recognition
- **Database updates** to always have newest vehicles specs
- **Remote control app** for tablets and smartphones

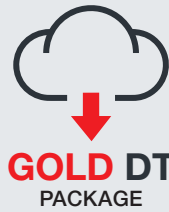


Send real time results via smartphone and tablets, for a clear and transparent experience.

- ✓ Engage customers with effective communication
- ✓ Get quick approvals
- ✓ Retain more customers with strategic follow-ups



# OPTIONAL PACKAGES



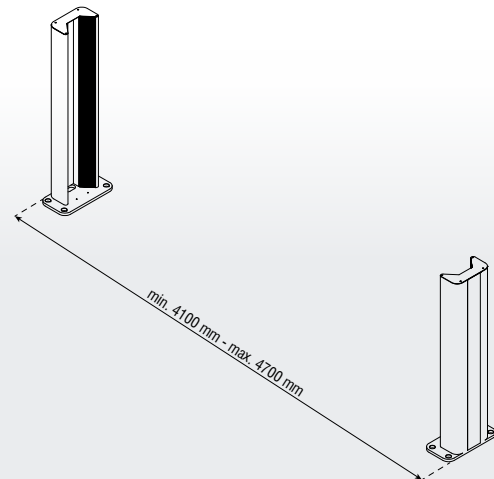
\*GOLD package included free of charge for 1 YEAR

	Database license	✓	✓
	Automatic updates of vehicle specifications in real time	✓	✓
	Automatic software updates	✓	✓
	Sending results in real time via WhatsApp, Email or SMS	✓	✓
	APP for full control from tablet or smartphone	✓	✓
	Remote Assistance	✓	✓
	Automatic recognition of vehicle specifications from recurrent vehicle license plate reading	✓	✓
	Automatic recognition of specifications from new vehicle license plate reading (*available as option only for some countries)		✓

## MAXIMUM ADAPTABILITY

**ARGOS X**  
*Drive thru*

Fits to any workspace.  
Zero interference, only efficiency.



**CEMB**

BALANCING MACHINES

**CEMB S.p.A.**  
Via Risorgimento, 9  
23826 Mandello del Lario (LC) - Italy  
[www.cemb.com](http://www.cemb.com)



Garage equipment division  
**CEMB - ITALY**  
Plant and Training Center  
Phone +39 0341 706111  
[garage@cemb.com](mailto:garage@cemb.com)

**CEMB USA - BL Systems Inc.**  
2873 Ramsey Road  
Gainesville, GA 30501 - USA  
Phone +001 678 717 1050  
Fax +001 678 717 1056  
[sales@cemb-usa.com](mailto:sales@cemb-usa.com)